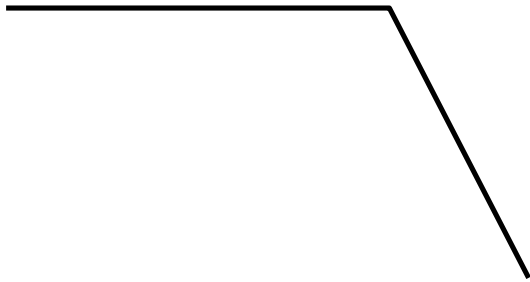




RATINGS AND CHARACTERISTICS CURVES

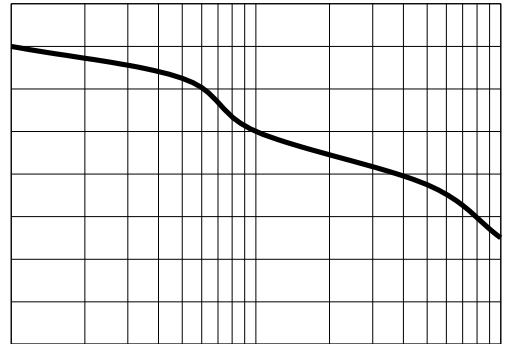
7\$

f & XQOHVQRWKBUZLVH



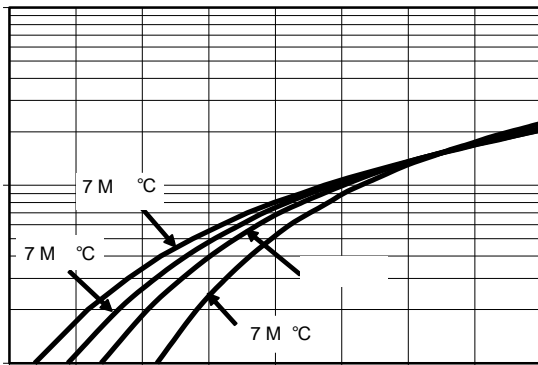
7 F & D V 7 H P S &

Current Derating, Case



1REHU RI BOHV DW J

Maximum Repetitive Surge Current



91 , Q V W D Q W D Q H R X O W ) D R J H Z D R U G G

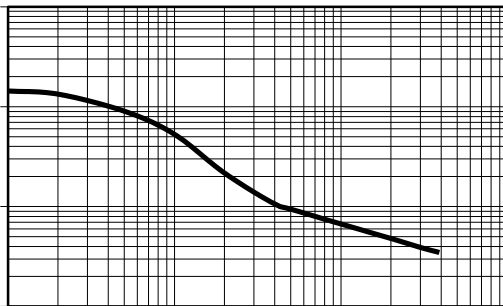
Typical Forward Voltage

, U 5HYHUVH & XUUHQW X\$



95 5HYHUVH 9ROWDJH 9ROWV

Typical Reverse Current



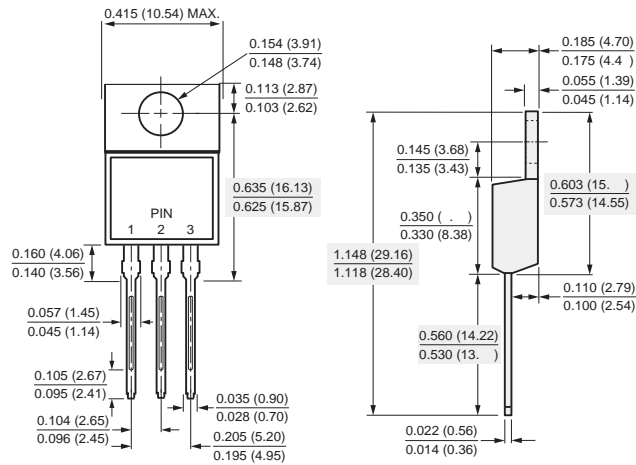
5HYHUVH 9ROWDJH 9ROWV

Typical Junction Capacitance

## PACKAGE OUTLINE DIMENSIONS

1 R W H X Q L W , Q P P

TO-220AB



ITO-220AB

