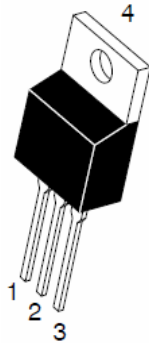
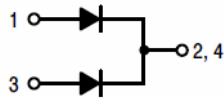
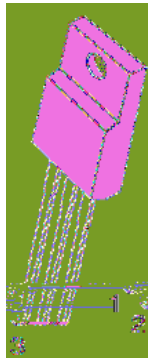


7 UHQFK 026 %DUULHU 6FKRWWN\ 5H

TO-220AB
TSR20L OCT



ITO-220AB
TSR20L OCTF



Features

- ‡ \$GYDQWUHQFK WHFKQRORJ\
- ‡ /RZRZDWRGWDJH GURS
- ‡ /RZRZDWRVHV
- ‡ +LJKILFLHQF\ RSHUDWLRO
- ‡ /HDGH)HLQLVK &R#6OLDQW

Applications

- ‡ '&' & RQYHUWHUV
- ‡ \$&' & \$GDSWRUV
- ‡ 6ZLWFKRZDIXSSOLHV
- ‡)UHHZKH'HLRQJ

Maximum ratings and electrical characteristics (T_J = 25°C unless otherwise noted)

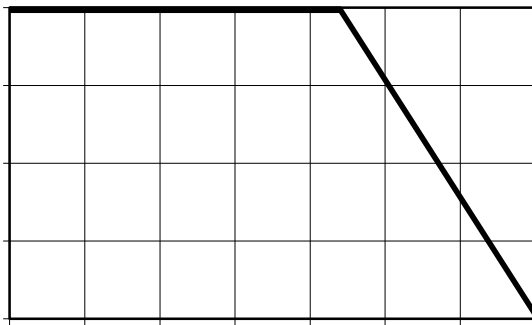
3DUDPHWHU		6\PERO	/LPLW	8QLW
0D[LPXPHSHVSHUNYHYURQHW DJH		9550		9
0D[LPXPHYUDRJDZDUG UFXEWHIHWG	GHYLFH SHGLRGH	,) \$9		\$
3HDN IRVZDUEBUHQW VLQDQH ZDYH VXSHULPSRVHGRFSGUDRCHG		,)60		\$
2SHUDMXQDQGRQWRUDJH WHPSHUDW	XUH DQJH	WR		f &
7\SLFVCHUPDO USHVULVQHDQFH	72 \$% ,72 \$%	5\$-&		f & : f & :
,QVWDQWDQHRXUWRUDZDUG SHGLRGH	,) \$	7- f&	7 < 3	9
	,) \$	7- f&	0\$;	
	,) \$	7- f&		
	,) \$	7- f&		
,QVWDQWDQHRXUWRUDZDUG UDWHYHYURQHW DJH	7- f&	,5		X\$
	7- f&			P\$

1RWHV

3XOVH WHVWSXOVH ZLGWK GXW\ F\FOH

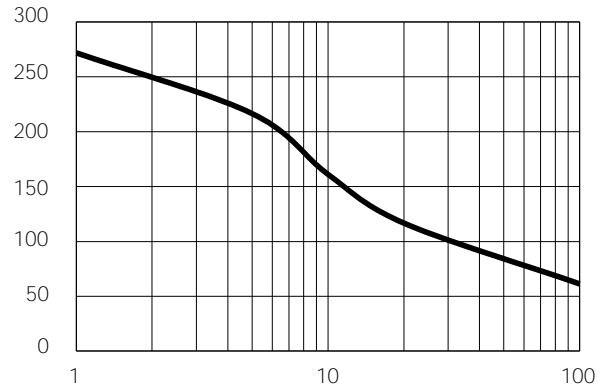
3XOVH WHVW 3XOVH ZLGWK 0 PV

RATINGS AND CHARACTERISTICS CURVES (TA = 25 °C unless otherwise noted)

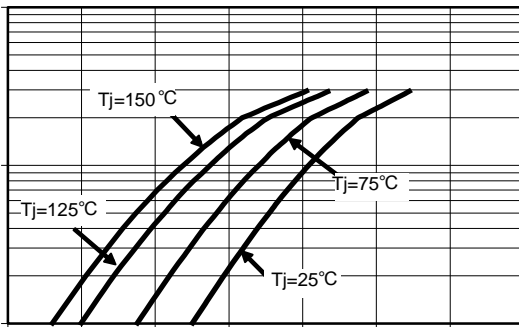


7 F & DVH 7&HPS

Current Derating, Case

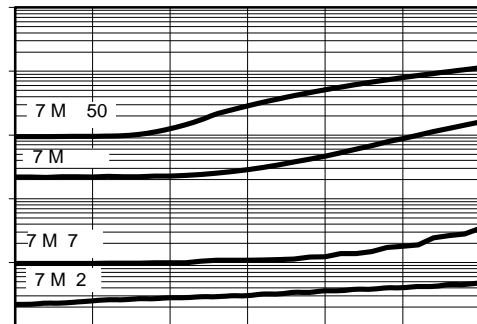


Maximum Repetitive Surge Current



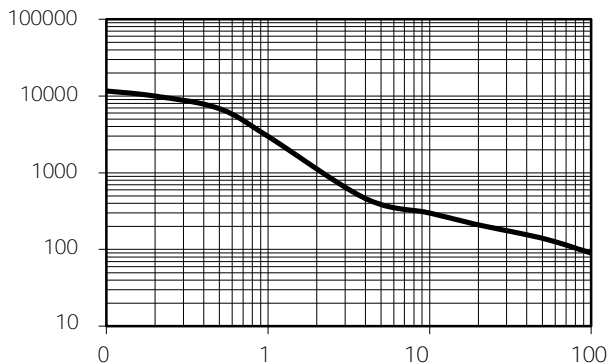
9 I , Q V W D Q W D Q H S R O W) D R J H Z D R U G

Typical Forward Voltage



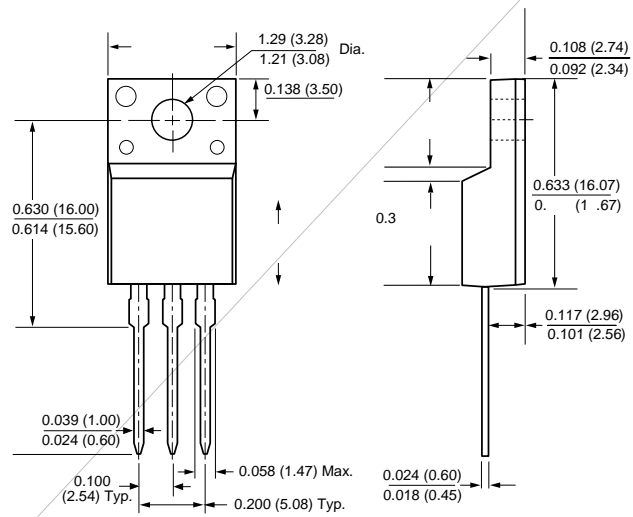
9 5 5 H Y H U V H 9 R O W D J H 9 R O W V

Typical Reverse Current

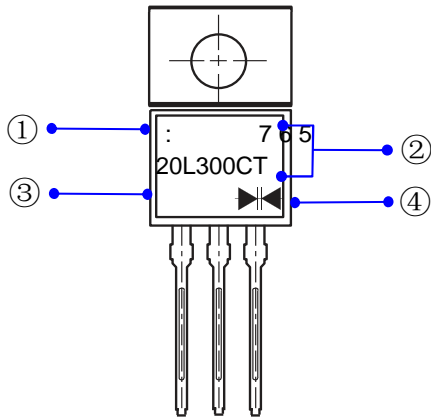


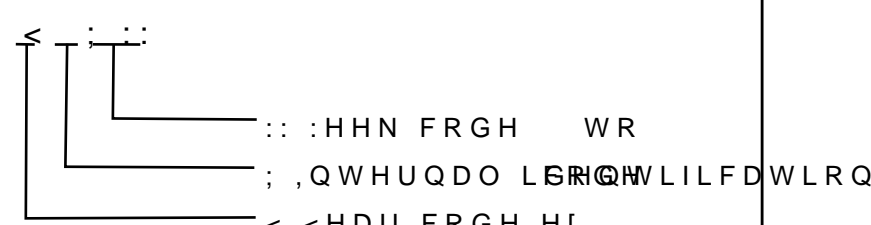
Typical Junction Capacitance

PACKAGE OUTLINE DIMENSIONS



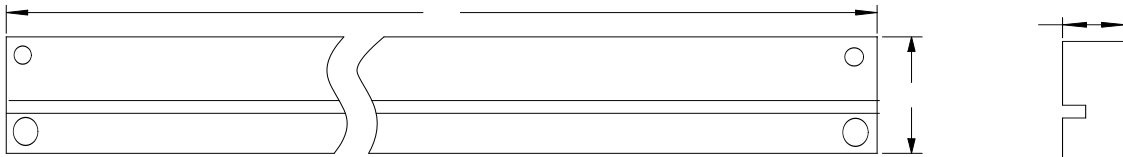
Marking Information



- ①
 - ② 3 URGXFW P 20L300 or TSR20L300CTF
 - ③ 3' & LQIRUPDWLRQ
- 
- ④

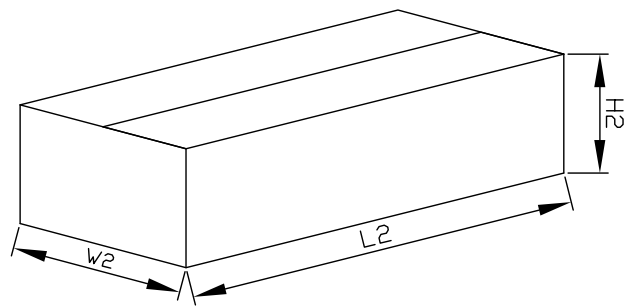
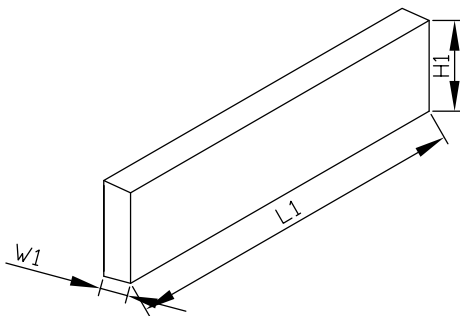
Packaging Information

7XEH 'LPHQVLRQV



,QVLGH %R[

2XWVLGH %R[



Packaging Information

12	81,	7XEH 'LPHQVLRQV			,QVLGH %R[2XWVLGH %R[
6L]H	PP	\$	%	&	/	:	+	/	:	+
47<	3&6	3&6 7XEH			6PDO SHVWDJH3&6 WXEVRWDO			3&6 FDUVRWDO		
1RW	H	7ROHUDQFH PP" PP			PP" PP			PP" PP		