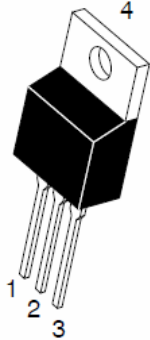


# TSR40 / OCT TSR40 /1 CTF

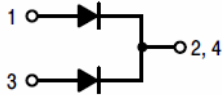
129

7 UHQFK 026 %DUULHU 6FKRWWN\ 5H

TO-220AB  
TSR40L1 OCT



ITO-220AB  
TSR40L1 OCTF



**Features**

- ‡ \$GYDQWUHQFK WHFKQRORJ\
- ‡ /RZRZDWRGWDJH GURS
- ‡ /RZRZDWRVHV
- ‡ +LJKILFLHQF\ RSHUDWLRO
- ‡ /HDGH)HLQLVK &R#6OLDQW

**Applications**

- ‡ '&' &RQYHUWHUV
- ‡ \$&'&GDSWRUV
- ‡ 6ZLWFKRZDSSOLHV
- ‡ )UHHZKH'HLRQJ

Maximum ratings and electrical characteristics (T<sub>J</sub> = 25°C unless otherwise noted)

3DUDPHWHU		6\PERO	/LPLW	8QLW
0D[LPXPHSHVSHUNYHYURQHW DJH		9550		9
0D[LPXPHYUDRJRZDUG UFXEWHIHWG	GHYLFH SHGLRGH	,) \$9		\$
3HDN IRVZDUEBUUHQW VLQDQH ZDYH VXSHULPSRVHGRFSGUDRVGHG		,)60		\$
2SHUDMXQDQGRQWRUDJH WHPSHUDW	XUH 0DQJH	WR		f&
7\SLFVCHUPDO USHVULVQHDQFH	72 \$% ,72 \$%	5\$-&		f& : f& :
,QVWDQWDQHRRQWRUJZDUG SHGLRGH	,) \$	7- f&	7<3	9
	,) \$	7- f&	0\$;	
	,) \$	7- f&		
	,) \$	7- f&		
,QVWDQWDQHRXUUSHQWRDWH UDWHYHYURQHW DJH	7- f&	,5		X\$
	7- f&			P\$

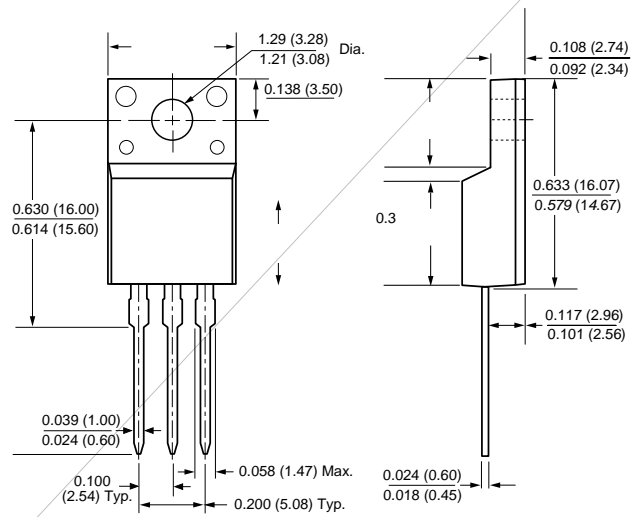
1RWHV

3XOVH WHVVSXOVH ZLGWK GXW\F\FOH

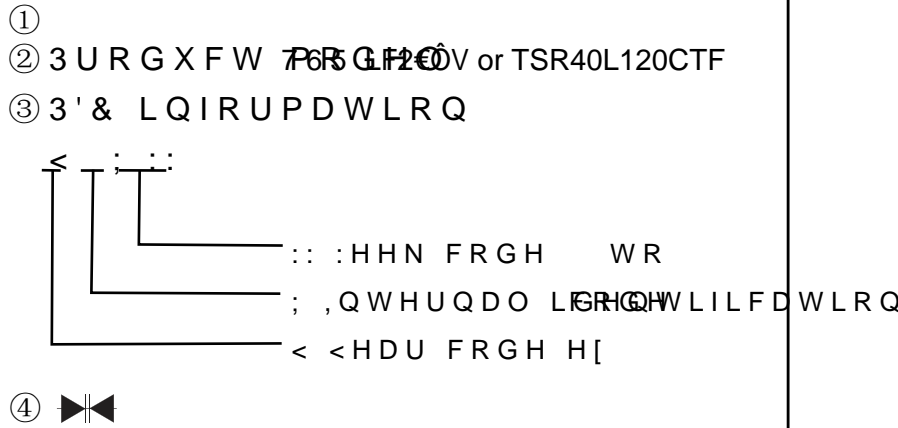
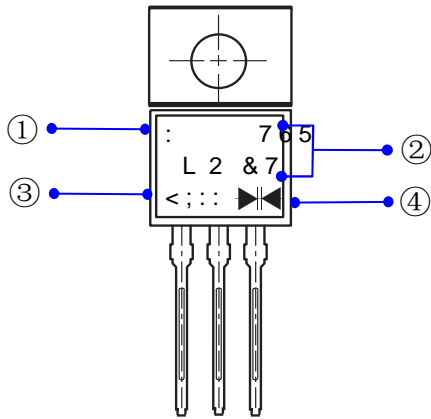
3XOVH WHVW 3XOPH ZLGWK 0



# PACKAGE OUTLINE DIMENSIONS

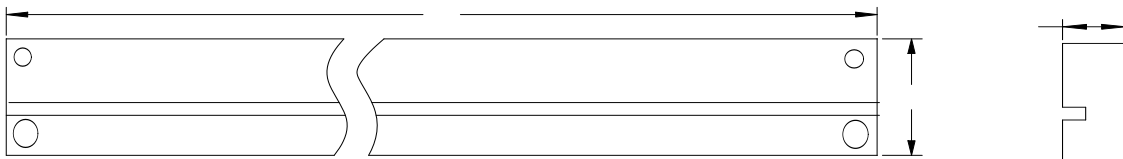


**Marking Information**



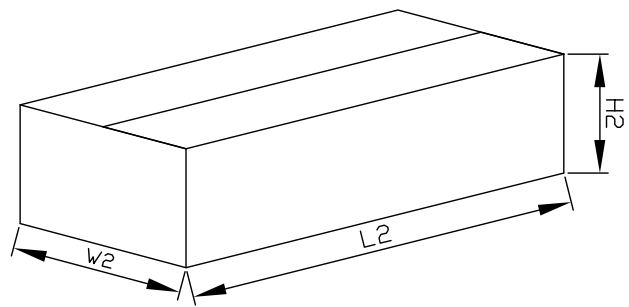
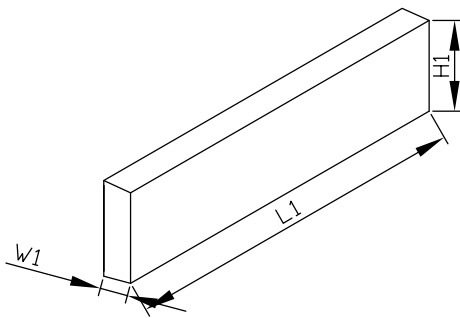
**Packaging Information**

7XEH 'LPHQVLRQV



,QVLGH %R[

2XWVLGH %R[



**Packaging Information**

12	81,	7XEH 'LPHQVLR			,QVLGH %R[			2XWVLGH %R[		
6L]H	PP	\$	%	&	/	:	+	/	:	+
47<	3&6	3&6 7XEH			6PDO SHVWDJH3&6 WXEVRWDO			3&6 FDUERGLWRWDO		
1RWH	7ROHUDQFHPP"PP			PP"PP			PP"PP			