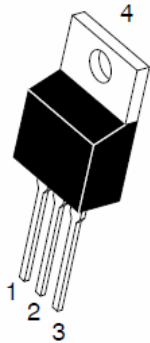
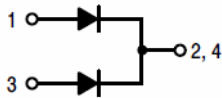


7UHQFK 026 %DUULHU 6FKRWWN\ 5H

TO-220AB  
 TSR20A100 & 7



ITO-220AB  
 TSR20A100 & 7)



Features

- ‡ \$GYDQWUHQFK WHFKQRORJ\
- ‡ /RZRUZDWRGWDJH GURS
- ‡ /RZRZDWRVHV
- ‡ +LJKILFLHQF\ RSHUDWLRO
- ‡ /HDGH)HLQLVK &R#6OLDQW

Applications

- ‡ '&' & RQYHUWHUV
- ‡ \$&' & \$GDSWRUV
- ‡ 6ZLWFKRZDUXSSOLHV
- ‡ )UHHZKH'HLRQJ

Maximum ratings and electrical characteristics (T<sub>J</sub> = 25°C unless otherwise noted)

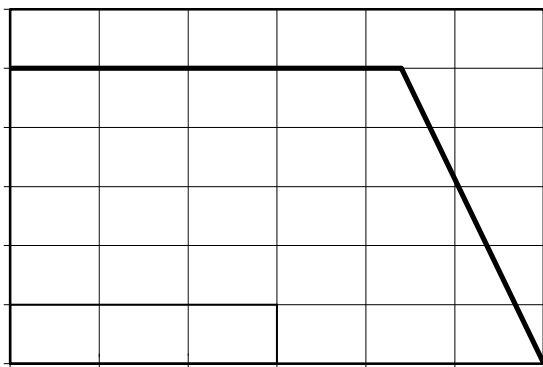
3DUDPHWHU		6\PERO	/LPLW	8QLW	
0D[LPXPHSHVSHUNYHYURQHW DJH		9550		9	
0D[LPXPHYHURJHZDUG UFKJWHIHWG	GHYLFH SHGLRGH	,) \$9		\$	
3HDN IRVZDUEBUHQW VLKDDHQH ZDYH VXSHULPSRVHGRFSGUDRCHG		,)60	8	\$	
2SHUDMXQDQGRQWRUDJH WHPSHUDW	XUH 0DQJH	WR		f &	
7\SLFVCHUPDO USHVULVQHDQFH	72 \$% ,72 \$%	5\$-&		f & : f & :	
,QVWDQWDQHRROWRDUZDUG SHGLRGH		9)	7 < 3	0\$;	
	,) 2\$		7- f &	5	0.55
	,) 2\$		7- f &	45	
	,) \$		7- f &	80	5
	,) \$		7- f &	4	
,QVWDQWDQHRXUUSHQWRDWH UDWHYHYURQHW DJH	7- f &	,5		X\$	
	7- f &		5	P\$	

1RWHV

3XOVH WHVVSXOVH ZLGWK GXW\F\FOH

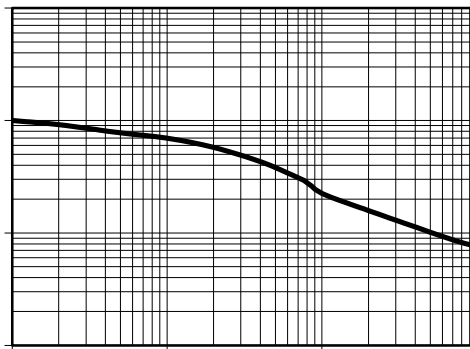
3XOVH WHVW 3XOPVH ZLGWK 0

RATINGS AND CHARACTERISTICS CURVES

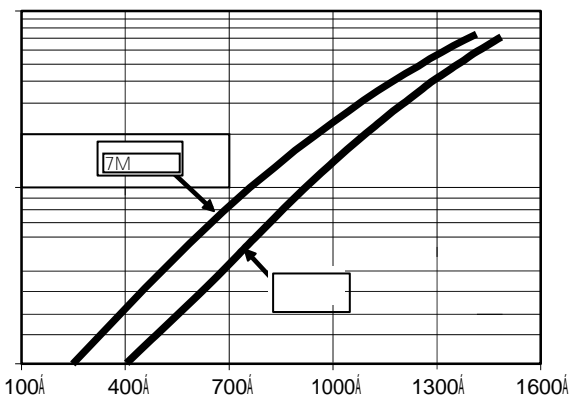


7F & DVH 7&1PS

Current Derating, Case

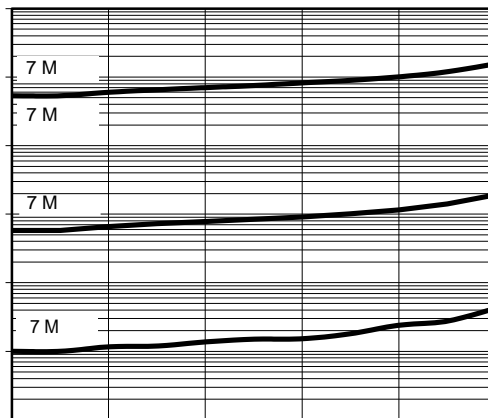


Typical Junction Capacitance



91 , QVWDQWDQ HFRXOW) DRJZH DRJG

Typical Forward Voltage



95 5HYHUVH 9ROWDJH 9ROWV

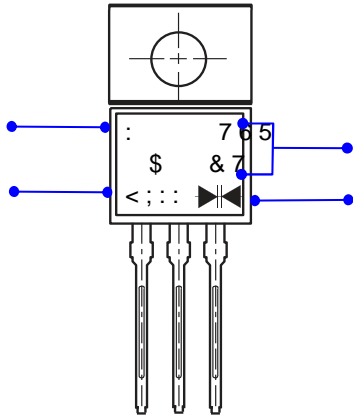
Typical Reverse Current

---

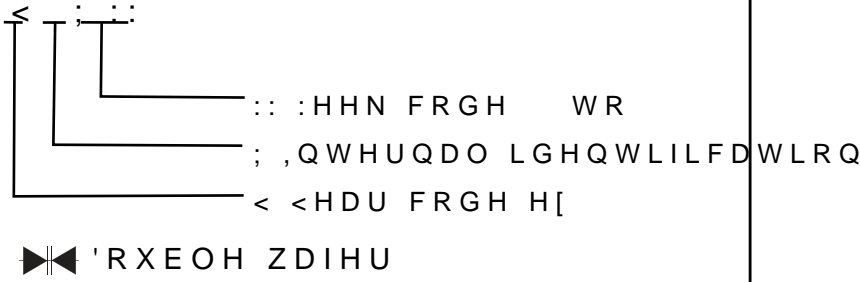
PACKAGE OUTLINE DIMENSIONS



**Marking Information**

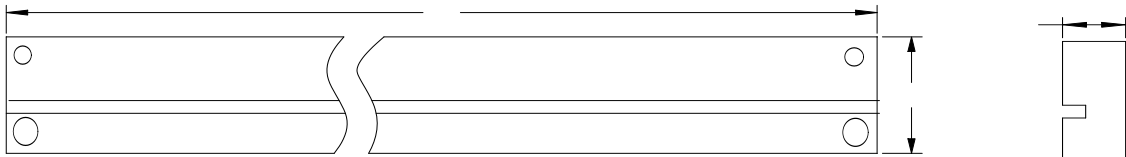


: &RPSDQ\ V WUDGHPDUN  
3URGXFW 765GH\$O &7 RU 765 &\$)



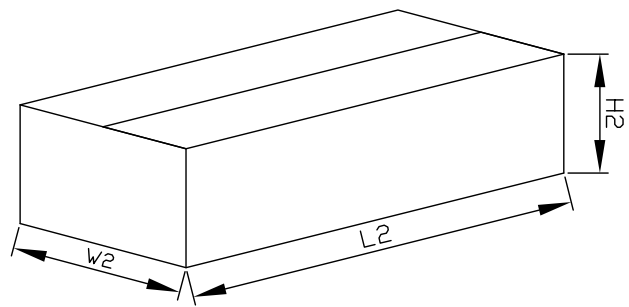
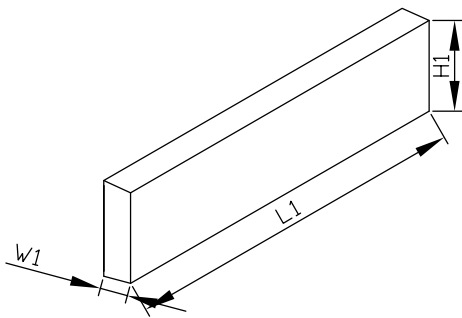
**Packaging Information**

7XEH 'LPHQVLRQV



,QVLGH %R[

2XWVLGH %R[



**Packaging Information**

12	81,	7XEH 'LPHQVLRQV			,QVLGH %R[			2XWVLGH %R[		
		\$	%	&	/	:	+	/	:	+
6L]H	PP									
47<	3&6	3&6 7XEH			6PDOO SHVWDJH WXEORWDO			3&6 3&6 FDUWRQV		
1RWH		7ROHUDQFH PP" PP			PP" PP			PP" PP		