

FK 026 %DUULHU 6FKRWWN\ 5H

220AB  
S150 & 7)



Features

- ‡ \$GYDQWUHQFK WHFKQRORJ\
- ‡ /RZRUZDURGDWDJH GURS
- ‡ /RZRZURVVHV
- ‡ +LJHILFLHQF\ RSHUDWLRO
- ‡ /HDGH)HLQLVK &R#6OLDQW

Applications

- ‡ '&' & RQYHUWHUV
- ‡ \$&' & \$GDSWRUV
- ‡ 6ZLWFKRZHXSSOLHV
- ‡ )UHHZKH'HLRGLJ

Maximum ratings and electrical characteristics (TJ = 25°C unless otherwise noted)

3DUDPHWHU	6\PERO	/LPLW	8QLW
0D[LPHSHVSHUNYHYURQHW DJH	9550		9
0D[LPHYHURJHZDUG UFXEWHQWGHYLFH ,) \$9			\$
3HDN IRVZDUEBUUHQW VLKDDHQH ZDYH VXSHULPSRVHGRFSGUJDRVGHG	,)60		\$
2SHUDMXQBDVLRQWRUDJH WHPSHUDW XUH 0DQJH WR			
7\SLFVCHUPDO USHVULVQHDQFH	72 \$% ,72 \$%	5\$-&	f & : f & :

7 < 3 0\$;

,QVWDQWDQHRROWRUJZDUG  
SHGLRGH ,) \$ 7- f&

9)

\$ 7- f  
9 1 ccS" 71# q 1%

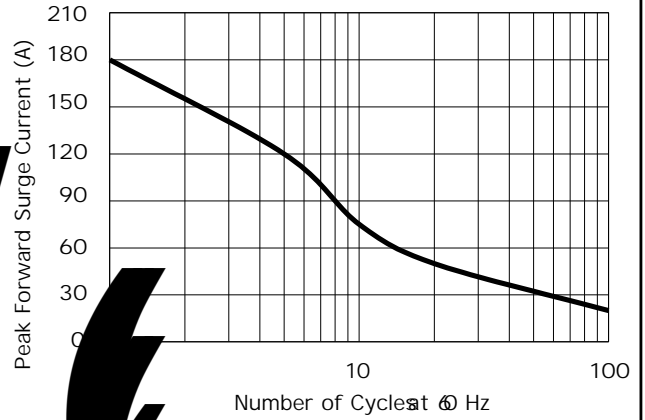
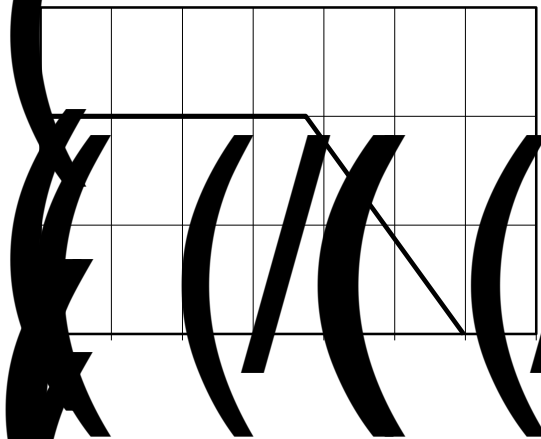
1RWHV

3XOVH WHV\$XOVH ZLGWK GXW\ F\FOH

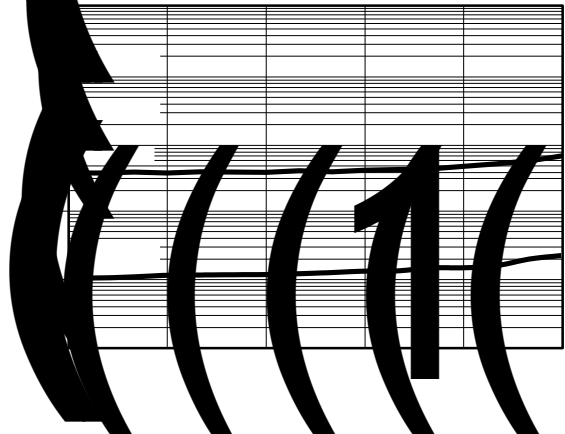
3XOVH WHVW 3XOPVH ZLGWK 0

RATINGS AND CHARACTERISTICS CURVES 7\$

f & X Q O H V Q R W K B U Z L V H



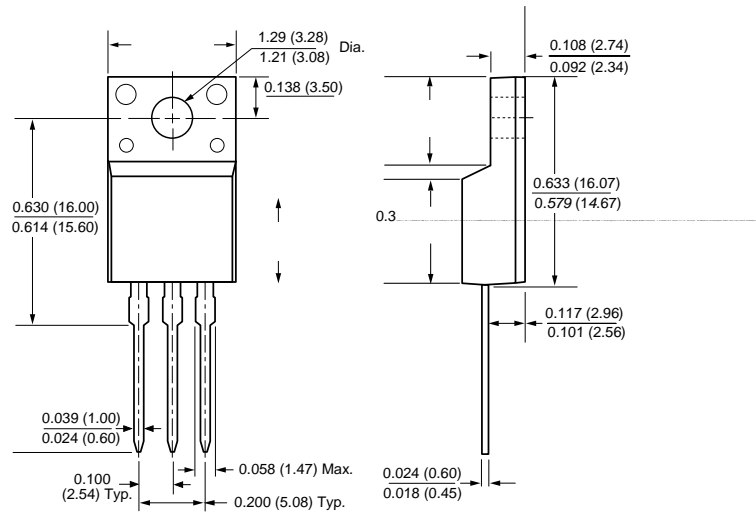
D u μ u Z % ρ I S P S E J A v š

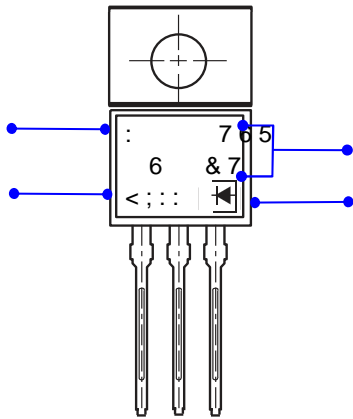


10000  
1000  
100  
10  
0 1 10 100  
Reverse Voltage (V)

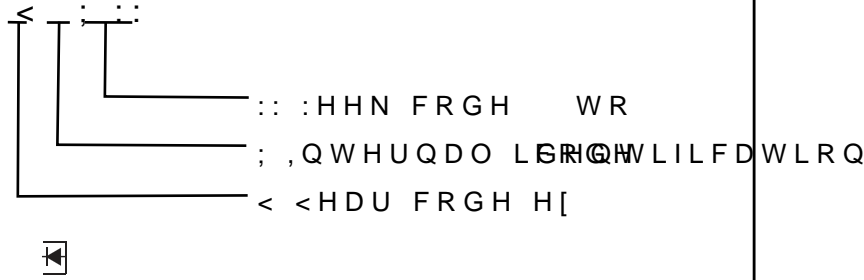
d Ç % ] o : μ v š ] } v % ] š v

# PACKAGE OUTLINE DIMENSIONS

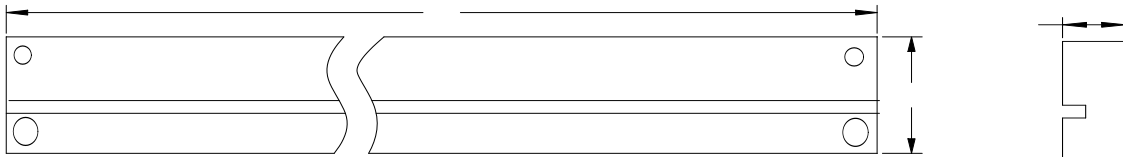




3URGXFW 765GH60 & 7 RU 765 & 7)  
3' & LQIRUPDWLRQ

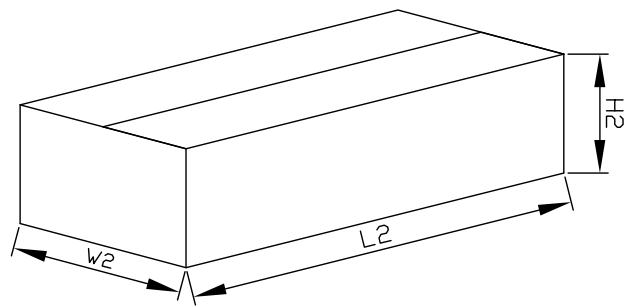
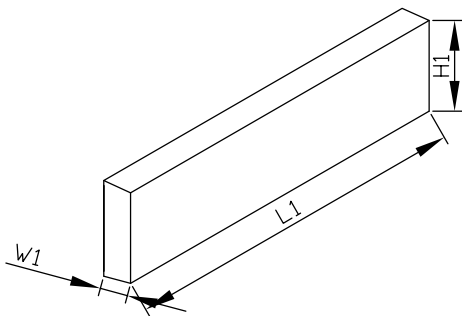


7XEH 'LPHQVLRQV



,QVLGH %R[

2XWVLGH %R[



3DFNDJLQJ ,QIRUPDWLRQ

12	81,	7XEH 'LPHQVLRQ			,QVLGH %R[			2XWVLGH %R[		
6L]H	PP	\$	%	&	/	:	+	/	:	+
47<	3&6	3&6 7XEH			6PDO SHFWDJH3&6 WXEWRWDO			3&6 FDUERGLWRWDO		
1RWH	7ROHUDQFH PP" PP			PP" PP			PP" PP			