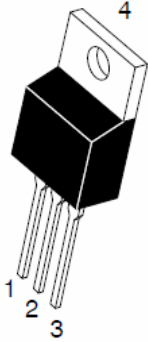




# TSR60L45CT

# TSR60L45CTF

**TSR60L45CT**  
**TO-220AB**

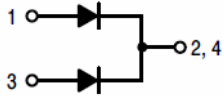


**TSR60L45CTF**  
**TO-220F**



## Features

## Applications



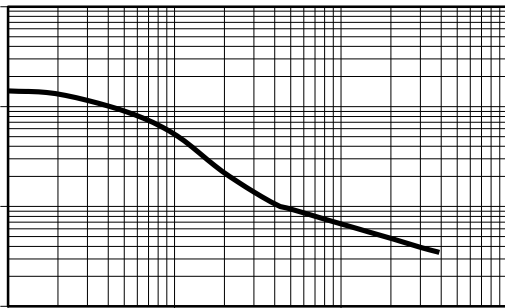
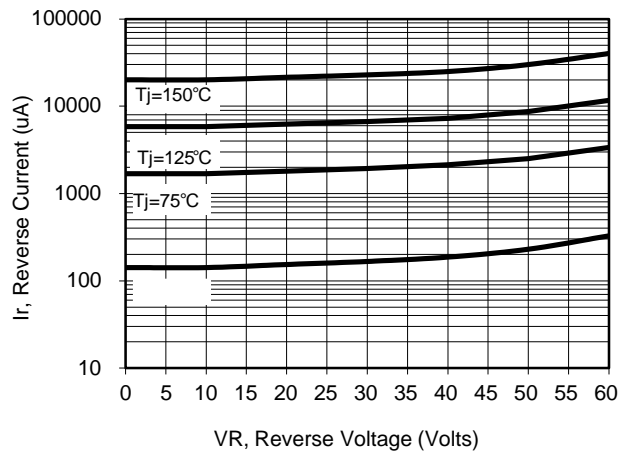
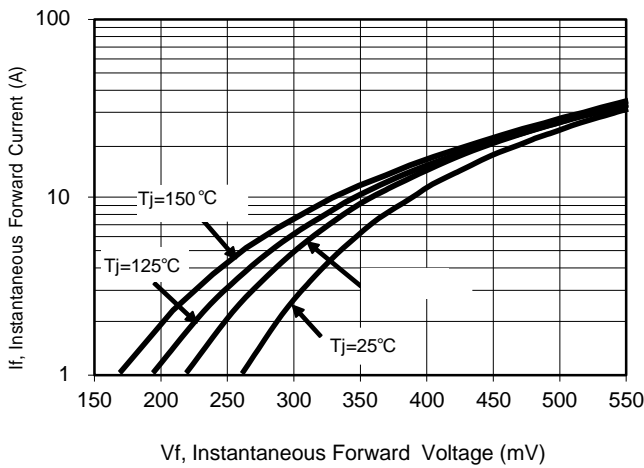
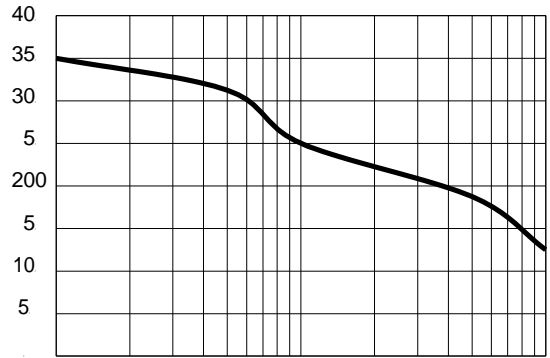
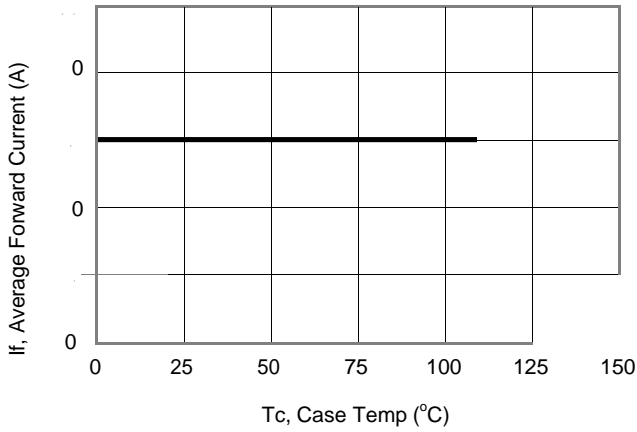
### Maximum ratings and electrical characteristics (T<sub>J</sub> = 25°C unless otherwise noted)

				6	
				3	
				35	
				40	45
				35	
	3			5	6
	3			50	
				1	10

# TSR60L45CT

# TSR60L45CTF

## RATINGS AND CHARACTERISTICS CURVES



---

**PACKAGE OUTLINE DIMENSIONS**

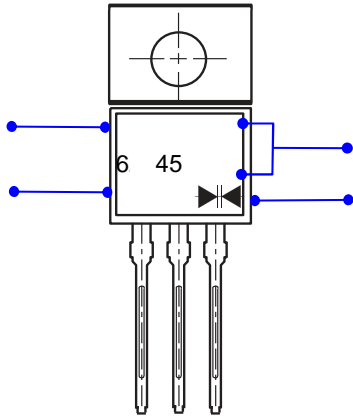




# TSR60L45CT

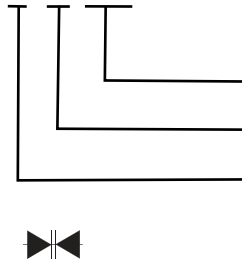
# TSR60L45CTF

## Marking Information

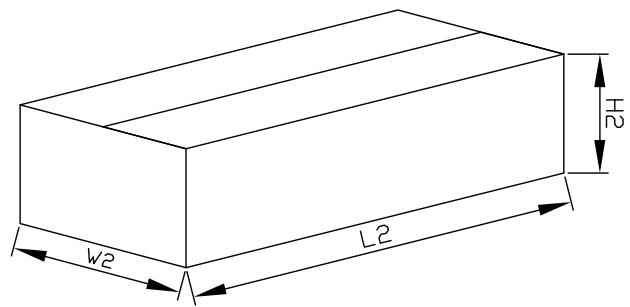
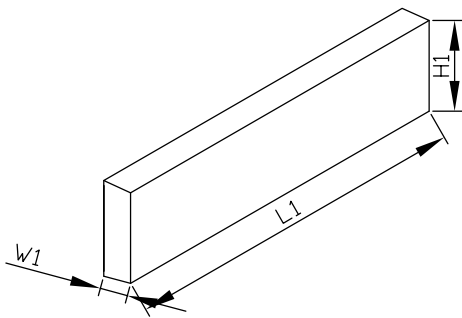
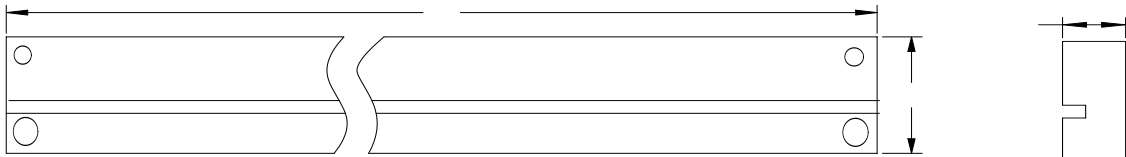


TSR60L45CT

6 45



## Packaging Information



## Packaging Information