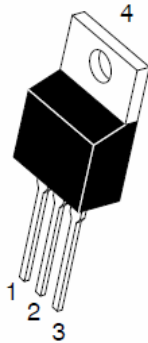


TSR40A 00CT

TSR40A10 CTF

7 UHQFK 026 %DUULHULB BKRWVN\ 5H

TO-220AB
TSR40A100CT



ITO-220AB
TSR40A100CTF

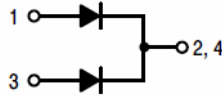


Features

- ‡ \$GYDQWUHQFK WHFKQRORJ\
- ‡ /RZRZURGRWDJH GURS
- ‡ /RZRZURVVHV
- ‡ +LJKILFLHQF\ RSHUDWLRO
- ‡ /HDGH)HLQLVK &R#6OLDQW

Applications

- ‡ '&' & RQYHUWHUV
- ‡ \$&' & \$GDSWRUV
- ‡ 6ZLWFKRZHXSSOLHV
- ‡)UHHZKH'HLRQJ



Maximum ratings and electrical characteristics (T_J = 25°C unless otherwise noted)

3DUDPHWHU		6\PERO	/LPLW	8QLW
0D[LPXPHSHVSHUNYHYURQHW DJH		9550		9
0D[LPXPHYUDRJRZDUG UFXEWHIHWG	GHYLFH SHGLRGH	,) \$9		\$
3HDN IRVZDUEBUUHQW VLQDQH ZDYH VXSHULPSRVHGRFSGUDRCHG		,)60		\$
2SHUDMXQDQLRQWRUDJH WHPSHUDW	XOH 06DJH	WR		f&
7\SLFVCHUPDO USHVULVQHDQFH	72 \$% ,72 \$%	5\$-&		f& : f& :
,QVWDQWDQHRROWRDUZDUG SHGLRGH		9)	7<3	0\$;
	,) \$		7-	f&
	,) \$		7-	f&
	,) \$		7-	f&
,QVWDQWDQHRXUUSHOMRQWH UDWHYHYURQHW DJH	7-	,5		X\$
	7-		f&	P\$

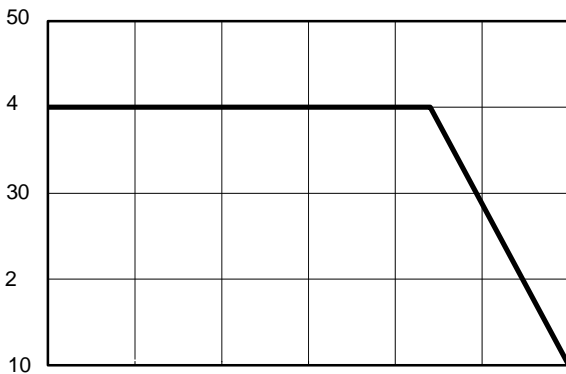
1RWHV

3XOVH WHVVSXOVH ZLGWK GXW\F\FOH

3XOVH WHVW 3XOPH ZLGWK 0

RATINGS AND CHARACTERISTICS CURVES

□ □ □ □ □ □ □ □ □ □



7 F & DVH 7&HPS

Figure 1: Current Derating, Case

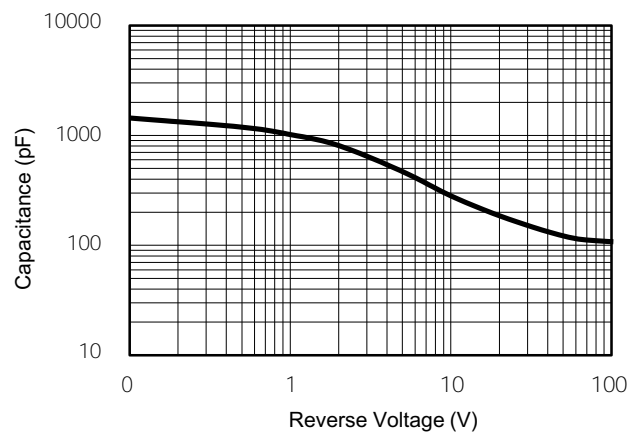


Figure 2: Typical Junction Capacitance

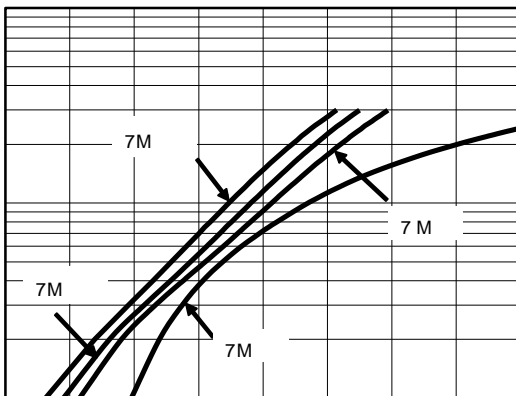


Figure 3: Typical Forward Voltage

, U 5HYHUVH & XUUHQQW X \$

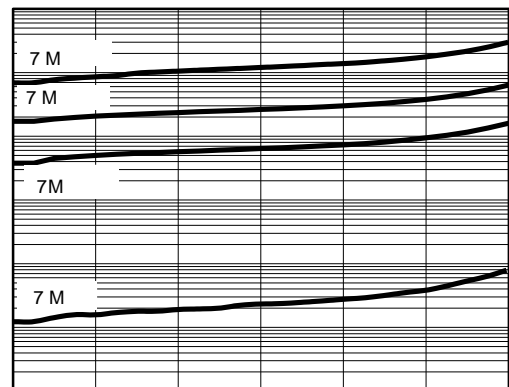
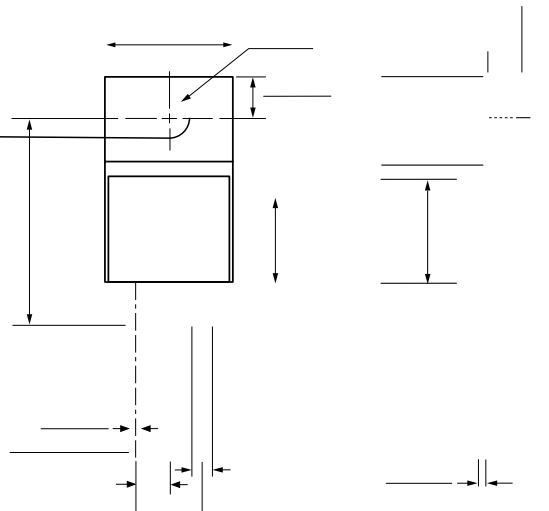


Figure 4: Typical Reverse Current

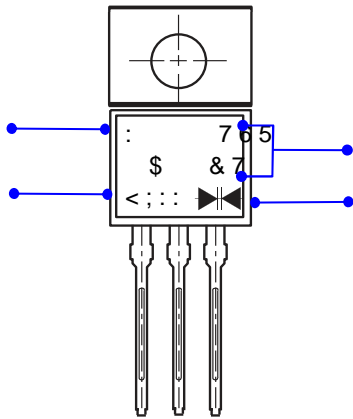
9I ,QVWDQWDQHRXV)RUZDUG 9ROWDJH P995 5HYHUVH 9ROWDJH 9ROWV

PACKAGE OUTLINE DIMENSIONS



TSR40A 00CT

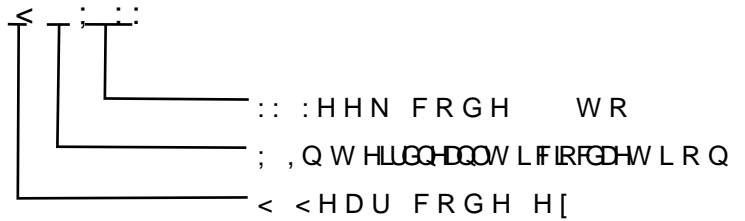
TSR40A10 CTF



K : ' 7cadUbnfig' hf UXYaUf_

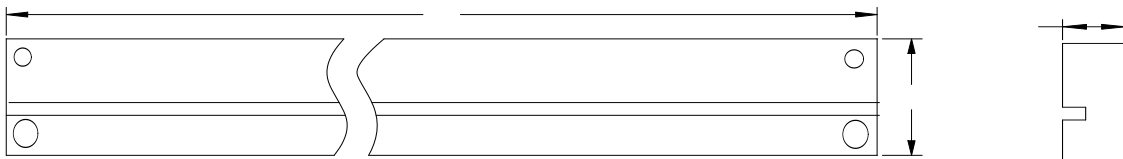
3 URGXFW 76RSGHO & 7 □ □ □

3' & LQIRUPDWLRQ



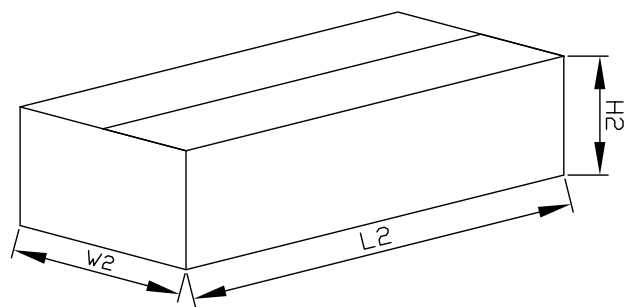
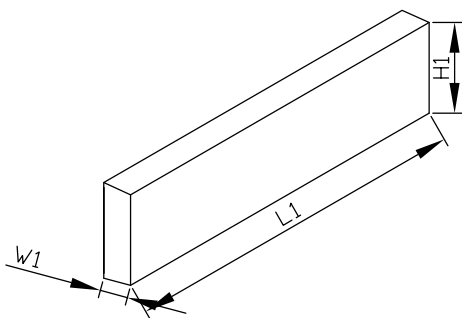
8ci V Y kUZYf

7XEH 'LPHQVLRQV



,QVLGH %R[

2XWVLGH %R[



12	81,	7XEH 'LPHQVLRQV			,QVLGH %R[2XWVLGH %R[
6L]H	PP	\$	%	&	/	:	+	/	:	+
47<	3&6	3&6 7XEH			6PDOCHDFWDJH3&6 WXEWRWDO			3&6 FDUERGLWRWDO		
1RWH	7ROHHDQFPP"PP			PP"PP			PP"PP			