

7 UHQFK 026 %DUULHU 6FKRWWN\ 5H

**TO-220AB**  
TSR / &7



**ITO-220AB**  
TSR / &7F



**Features**

- ‡ \$GYDQWUHQFK WHFKQRORJ\
- ‡ /RZRUZDWRGDJH GURS
- ‡ /RZRZDWRVHV
- ‡ +LJKILFLHQF\ RSHUDWLRO
- ‡ /HDGH)HLQLVK &R#6OLDQW

**Applications**

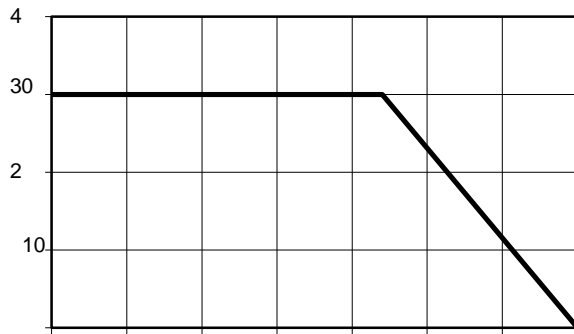
- ‡ '&' & RQYHUWHUV
- ‡ \$&' & GDSWRUV
- ‡ 6ZLWFKRZDSSOLHV
- ‡ )UHHZKH)HLRQJ

**Maximum ratings and electrical characteristics (T<sub>J</sub> = 25°C unless otherwise noted)**

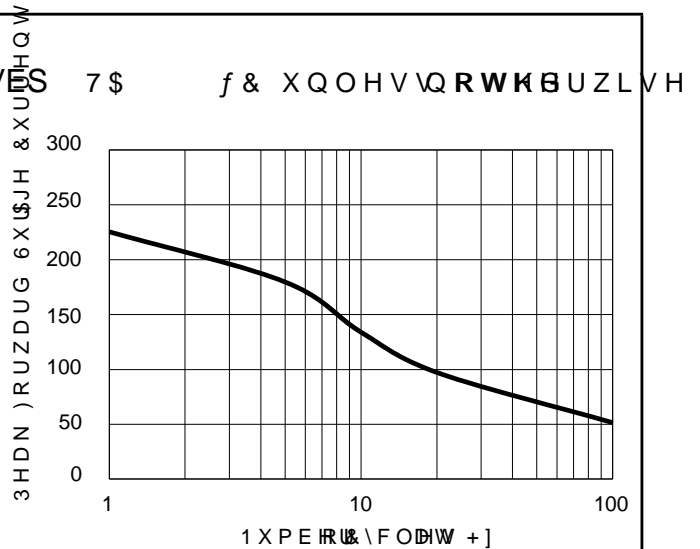
| 3DUDPHWHU  |       | 6\PERO   | /LPLW | 8QLW |     |
|--|-------|----------|-------|------|-----|
| 0D[LXPXPHSHVSHUNYHYURQHW DJH                           |       | 9550     |       | 9    |     |
| 0D[LXPYHURDJH ZDUG UFKUWHIHWG                          |       | , ) \$9  |       | \$   |     |
| GHYLFH<br>SHGLRGH                                      |       |          |       |      |     |
| 3HDN IRVZDWRUHQW VLQDQH ZDYH<br>VXSHULPSRVHGRFSDWRVGHG |       | , )60    |       | \$   |     |
| 2SHUDMXQDQWRWRUDJH WHPSHUDW                            |       | XUHWRDJH | WR    | f&   |     |
| 7\SLFVCHUPDO USHVULVQHDQFH                             |       | 72 \$%   | 5\$-& | f& : |     |
|  |       | ,72 \$%  |       | f& : |     |
| ,QVWDQWDQHRXUWWRUJZDUG<br>SHGLRGH                      |       | 9)       | 7<3   | 0\$; |     |
|  | ,) \$ |          | 7-    | f&   | 9   |
|  | ,) \$ |          | 7-    | f&   |     |
|  | ,) \$ |          | 7-    | f&   |     |
| ,QVWDQWDQHRXUWWRUJZDUG<br>UDWHYHYURQHW DJH             |       | ,5       |       | X\$  |     |
|  |       |          | 7-    | f&   | P\$ |

1RWHV  
3XOVH WHVWSXOVH ZLGWK GXW\F\FOH  
3XOVH WHVW 3XOVH ZLGWK 0 PV

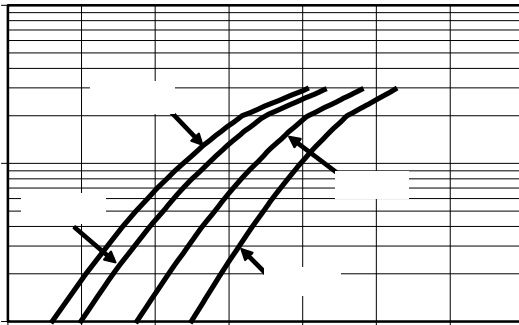
RATINGS AND CHARACTERISTICS CURVES



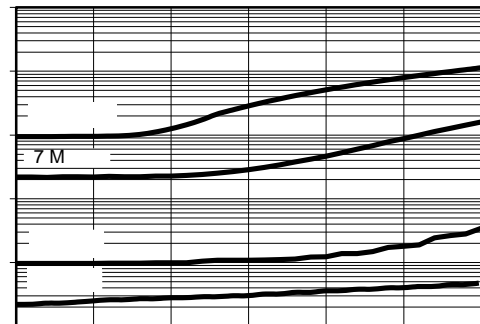
Current Derating, Case



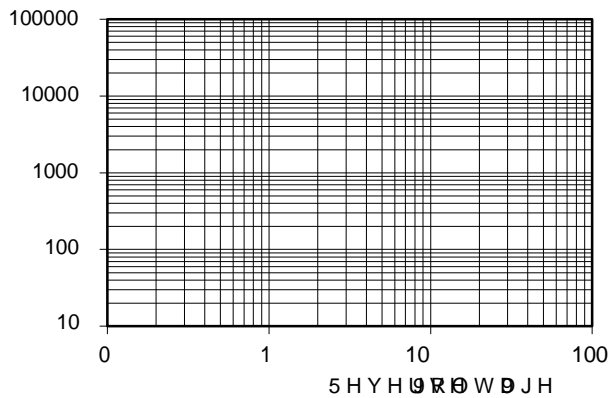
Maximum Repetitive Surge Current



Typical Forward Voltage

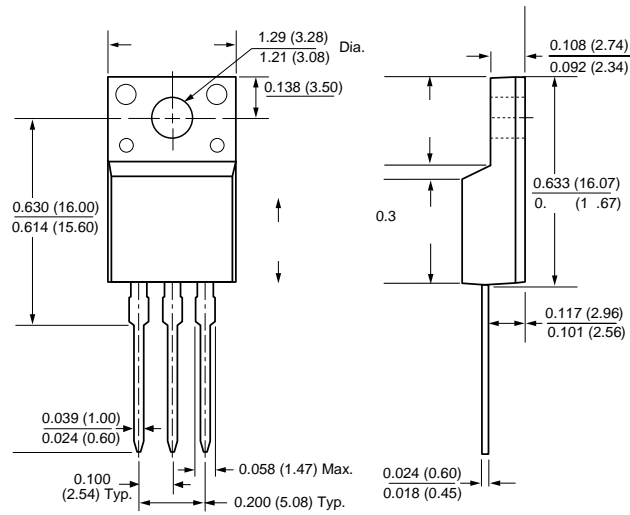


Typical Reverse Current

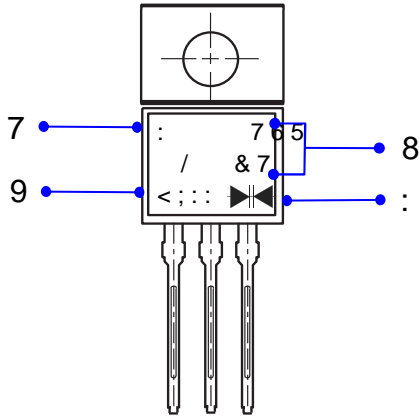


Typical Junction Capacitance

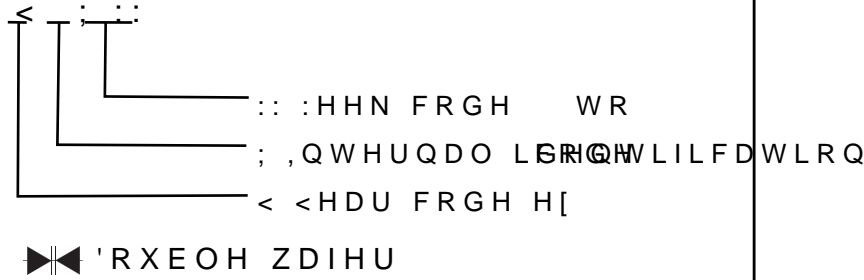
# PACKAGE OUTLINE DIMENSIONS



### 0DUNLQJ ,QIRUPDWLRQ

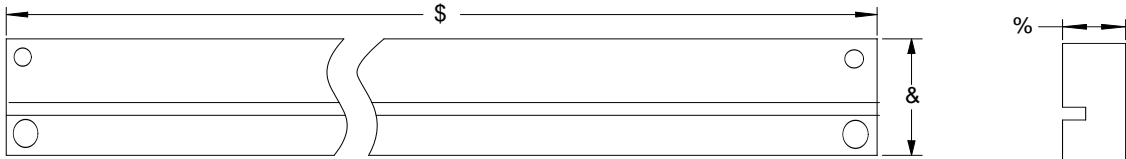


7 : &RPSDQ\ V WUDGHPDUN  
 8 3URGXFW 765 / &7) )  
 9 3' & LQIRUPDWLRQ



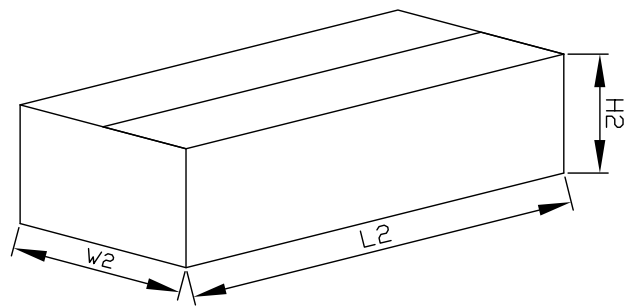
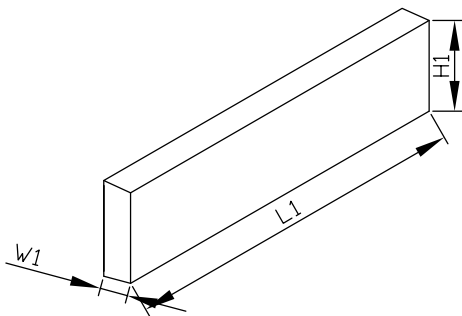
### 3DFNDJLQJ ,QIRUPDWLRQ

7XEH 'LPHQVLRQV



,QVLGH %R[

2XWVLGH %R[



### 3DFNDJLQJ ,QIRUPDWLRQ

| 12   | 81,                            | 7XEH 'LPHQVLRQV |   |   | ,QVLGH %R[                  |   |   | 2XWVLGH %R[      |   |   |
|------|--------------------------------|-----------------|---|---|-----------------------------|---|---|------------------|---|---|
| 6L]H | PP                             | \$              | % | & | /                           | : | + | /                | : | + |
| 47<  | 3&6                            | 3&6 7XEH        |   |   | 6PDO SHVWDJH3&6<br>WXEORWDO |   |   | 3&6 FDUERGLWRWDO |   |   |
| 1RWH | 7ROHUDQFH PP" PP PP" PP PP" PP |                 |   |   |                             |   |   |                  |   |   |