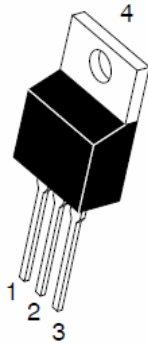
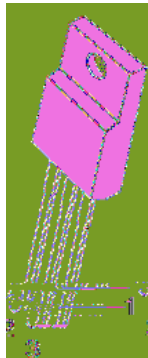


Trench MOS Barrier Schottky Rectifier

TO-220AB
TSR CT



ITO-220AB
TSR CTF

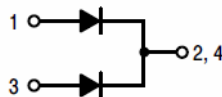


Features

- Advanced trench technology
- Low forward voltage drop
- Low power losses
- High efficiency operation
- Lead Free Finish, RoHS Compliant

Applications

- DC/DC Converters
- AC/DC Adaptors
- Switching Power Supplies
- Freewheeling Diodes



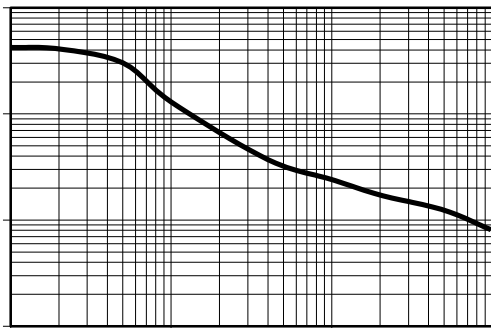
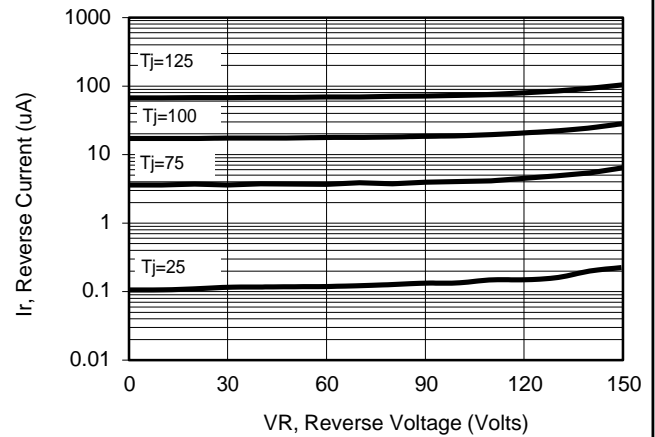
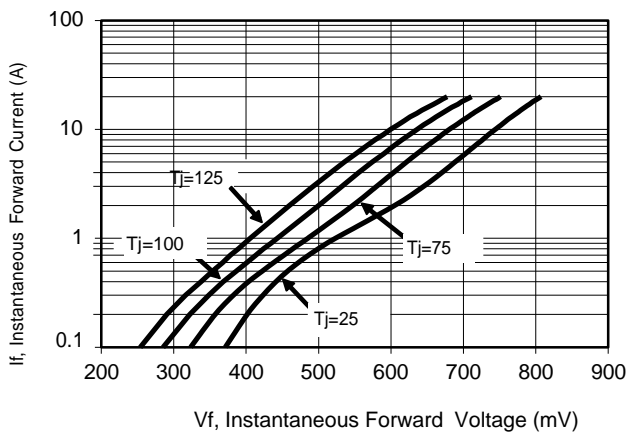
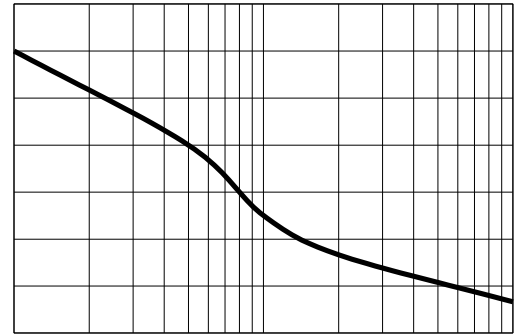
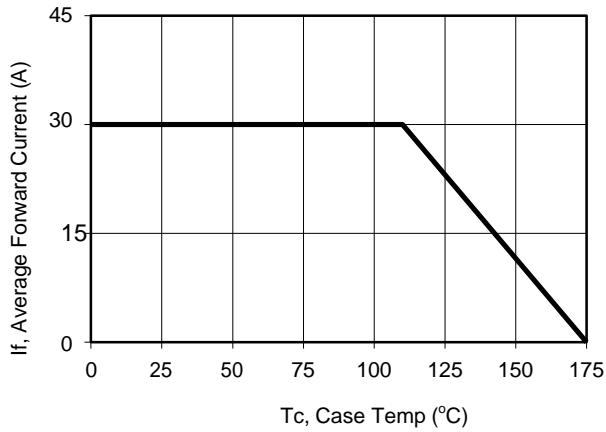
Maximum ratings and electrical characteristics (T_J = 25°C unless otherwise noted)

| Parameter | | Symbol | Limit | Unit |
|--|-----------|-----------------------------------|------------|------|
| Maximum repetitive peak reverse voltage | | VRRM | 10 | V |
| Maximum average forward rectified current | device | IF(AV) | 0 | A |
| | per diode | | | |
| Peak forward surge current 8.3 ms single half sine-wave superimposed on rated load per diode | | IFSM | 180 | A |
| Operating junction and storage temperature range | | T _J , T _{STG} | -5 to +150 | °C |
| Typical thermal resistance per leg | TO-220AB | 5 § - & | 2 | °C/W |
| | ITO-220AB | | 4 | °C/W |
| Instantaneous forward voltage per diode | | | TYP. | MAX. |
| | IF=3A | T _J =25°C | 0. | 0. |
| | IF=3A | T _J =125°C | 0. | - |
| | IF= A | T _J =25°C | 0. | |
| Instantaneous reverse current per diode at rated reverse voltage | | | | µA |
| | | | - | mA |

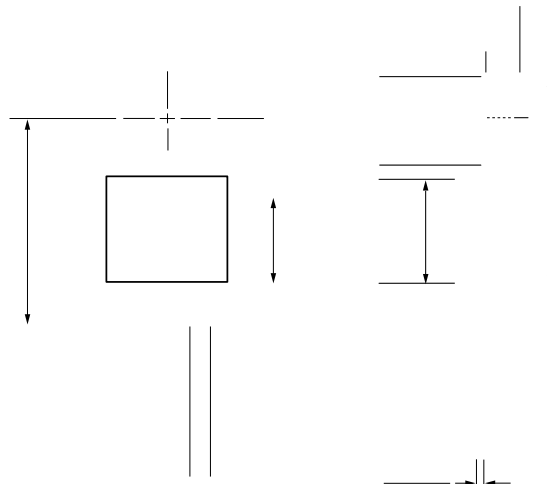
Notes:

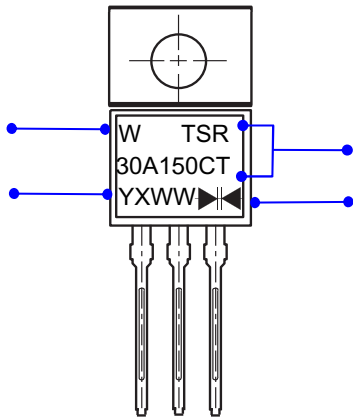
3XOVH WHV V\$XOVH ZLGWK GXW\F\FOH
3XOVH WHVW 3XOPWH ZLGWK 0

RATINGS AND CHARACTERISTICS CURVES



~~PACKAGE~~ OUTLINE DIMENSIONS 90384913888





W : Company's trademark
Product model : TSR30A150CT or TSR30A150CTF

PDC information

Y X WW

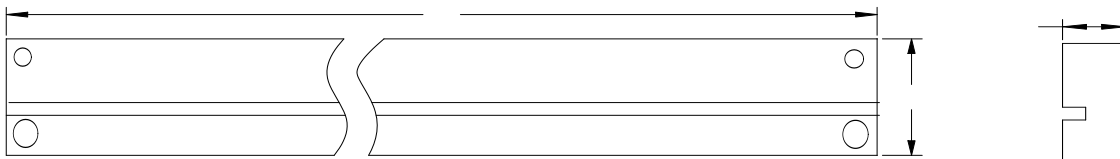
WW:Week code(01 to 53)

X:Internal identification code

Y:Year code(ex:0=2020)

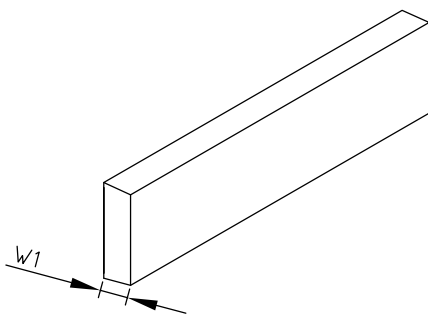
▶▶ Double wafer

1. Tube Dimensions



2. Inside Box

3. Outside Box



| NO | UNIT | Tube Dimensions | | | Inside Box | | | Outside Box | | |
|------|--|-----------------|---|----|---|----|-----|----------------------------------|-----|-----|
| | | A | B | C | L1 | W1 | H1 | L2 | W2 | H2 |
| Size | mm | 530 | 7 | 33 | 570 | 46 | 150 | 590 | 260 | 180 |
| QTY | PCS | 50PCS/Tube | | | Smallest package,1000PCS, 20 tube in total | | | 5,000PCS/carton,5 boxes in total | | |
| Note | Tolerance ≤20mm,±3mm; 21-100mm,±5mm; 101-500mm,±10mm | | | | | | | | | |