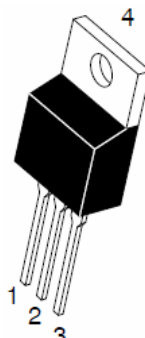


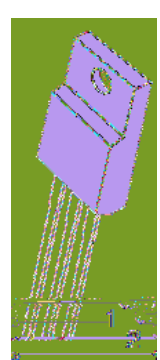
7 UHQFK 026 %DUULHU 6FKRWWN\ 5H

TO-220AB
TSR / CT 6



1 2 3 4

ITO-220AB
TSR / CTF 6




Features

- ‡ \$GYDQWUHQFK WHFKQRORJ\
- ‡ /RZRZURGRWDJH GURS
- ‡ /RZRZURVVHV
- ‡ +LJKILFLHQF\ RSHUDWLRO
- ‡ /HDGH)HLQLVK &R#6OLDQW

Applications

- ‡ '&' &RQYHUWHUV
- ‡ \$&'&GDSWRUV
- ‡ 6ZLWFKRZHXSSOLHV
- ‡)UHHZKH'HLRGRJ

3,1  4-2
4-2

Maximum ratings and electrical characteristics (T_J = 25°C unless otherwise noted)

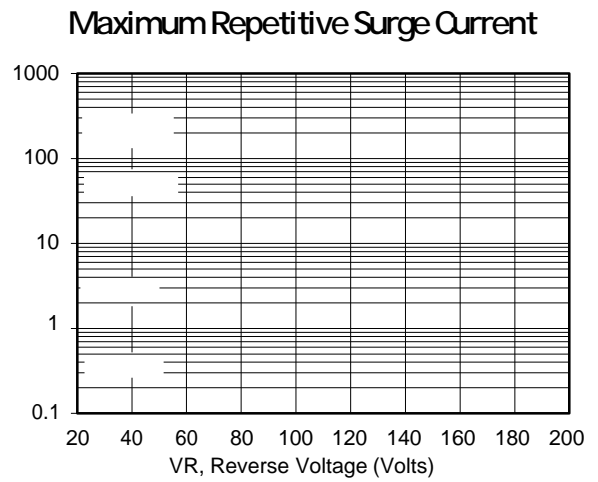
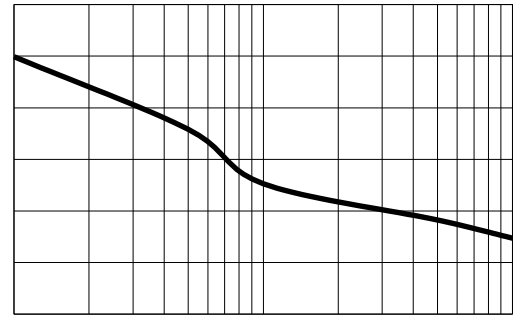
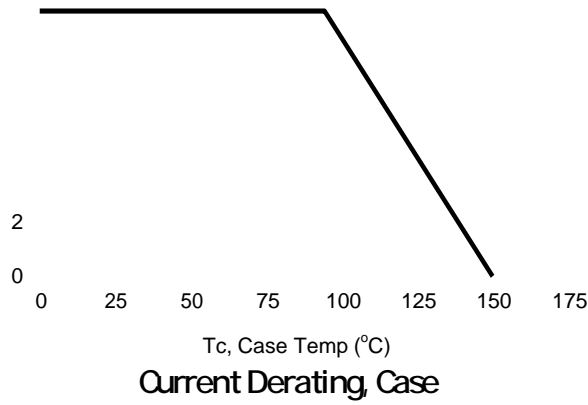
3DUDPHWHU		6\PERO	/LPLW	8QLW	
0D[LXPXPHSHVSHUNYHYURQHW DJH		9550		9	
0D[LXPYHURJHZDUG UFXEWHQWGHYLFH ,) \$9				\$	
3HDN IRVZDUEBUHQW VLKDOHQH ZDYH VXSHULPSRVHGRFSGUDRCHG		,)60	5	\$	
2SHUDMXQDQGRQWRUDJH WHPSHUDW XUHURDJH WR				f&	
7\SLFVCHUPDO USHVULVQHDQFH		72 \$%		f& :	
		,72 \$%		5\$-&	f& :
,QVWDQWDQHRXURWRUJZDUG SHGLRGH		9)	7<3	0\$;	
			,) \$	7- f&	9
			,) \$	7- f&	
			,) \$	7- f&	
,QVWDQWDQHRXUUSHOMRQWH UDWHYHYURQHW DJH		,5		X\$	
				P\$	

1RWHV
3XOVH WHVVSXOVH ZLGWK GXW\F\FOH
3XOVH WHVW 3XOPH ZLGWK 0

RATINGS AND CHARACTERISTICS CURVES

75

f & X Q O H V Q R W K B U Z L V H

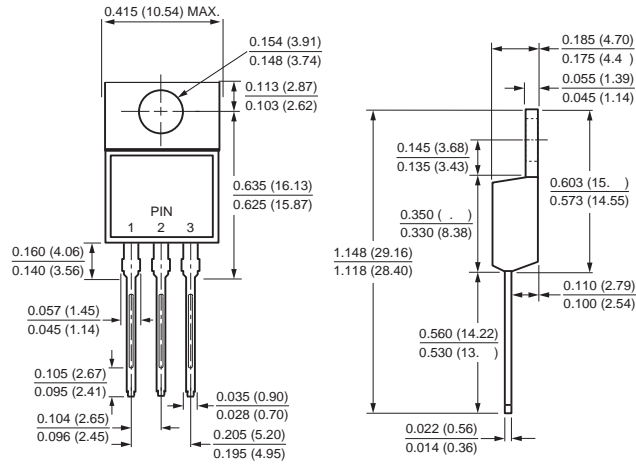


Typical Junction Capacitance

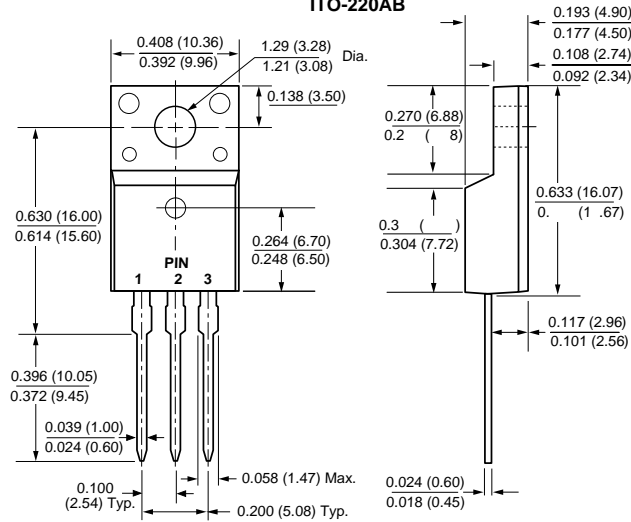
PACKAGE OUTLINE DIMENSIONS

1 R W H X Q L W , Q P P

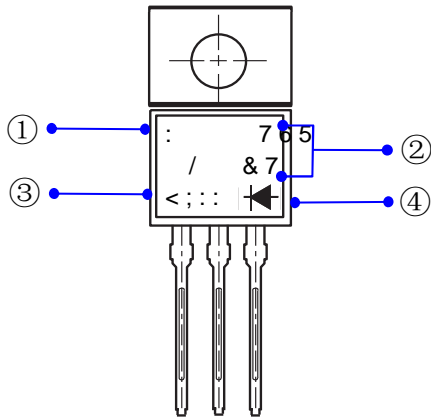
TO-220AB



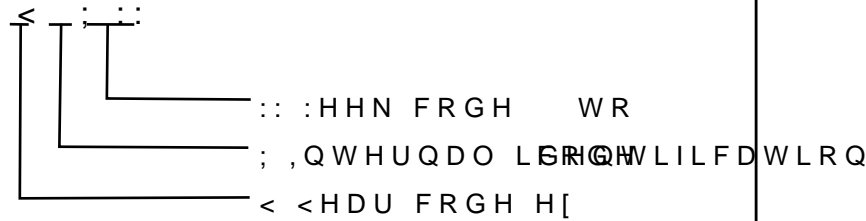
ITO-220AB



Marking Information



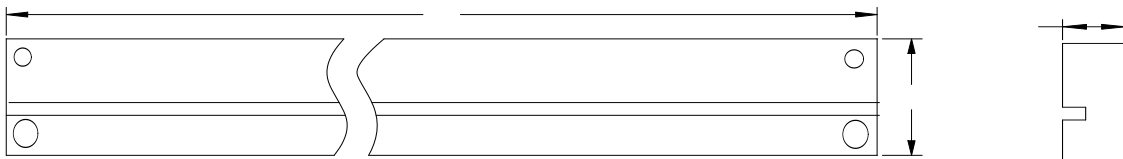
- ①
- ② 3URGXFW 765GHO&7RU 765 / &7)
- ③ 3'& LQIRUPDWLRQ



- ④ 6LQJZDIHU

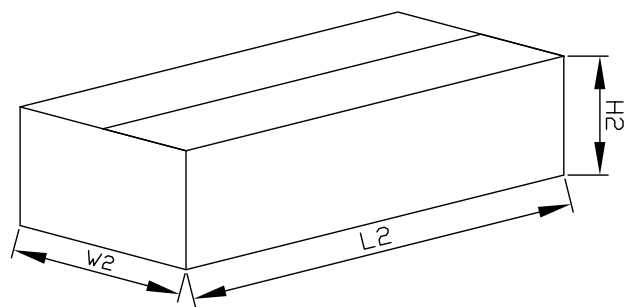
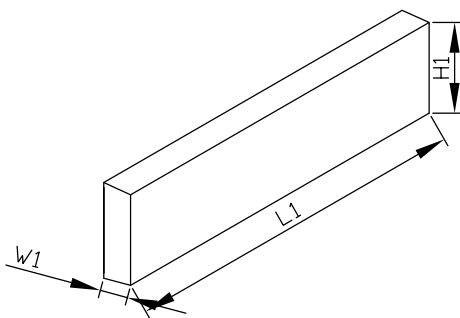
Packaging Information

7XEH 'LPHQVLRQV



,QVLGH %R[

2XWVLGH %R[



Packaging Information

12	81,	7XEH 'LPHQVLRQV			,QVLGH %R[2XWVLGH %R[
6L]H	PP	\$	%	&	/	:	+	/	:	+
47<	3&6	3&6 7XEH			6PDO&7RU 765GHO&7RU 765			3&6 FDUERQWLILFDWLRQ		
1RWH	7ROHUDQFHP" PP			PP" PP			PP" PP			